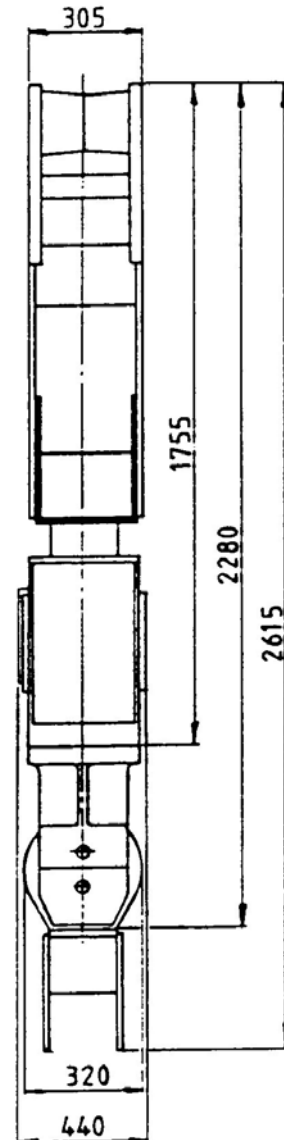
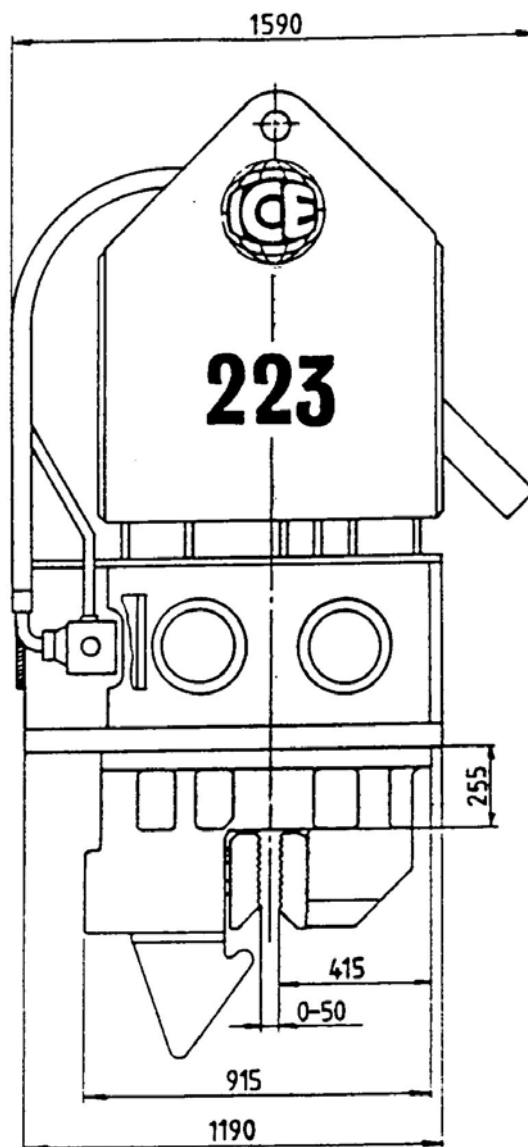




PILEQUIP AUSTRALIA PTY LTD
 ABN 72 003 477 898
 39 Chapman Road, Vineyard NSW
 PO Box 976
 WINDSOR NSW 2756
 Tel: + 61 (0) 2 9838 3144
 Fax: + 61 (0) 2 9838 3150
 Email: info@pilequip.com.au
 Webpage: www.pilequip.com.au

ICE 223



SPECIFICATIONS:

Eccentric moment	:	11.5	kg.m
Max. centrifugal force	:	670	kN
Max. frequency	:	2,300	RPM
Max. amplitude incl. 75TU	:	12.6	mm
Max. static line-pull	:	270	kN
Max. hydraulic power	:	157/213	kW/HP
Max. operating pressure	:	340	bar
Max. oil flow	:	320	l/min
Total weight incl. 75TU	:	2,950	kg

Clamps :

Universal clamp	:	75TU	
Weight	:	705	kg
Caisson clamp	:	2 * 80TC	
Weight (beam & 2 * TC)	:	1,350	kg

Powerpacks :

Model	:	ICE 275	
Power	:	200/270	kW/HP
Weight	:	4500	kg