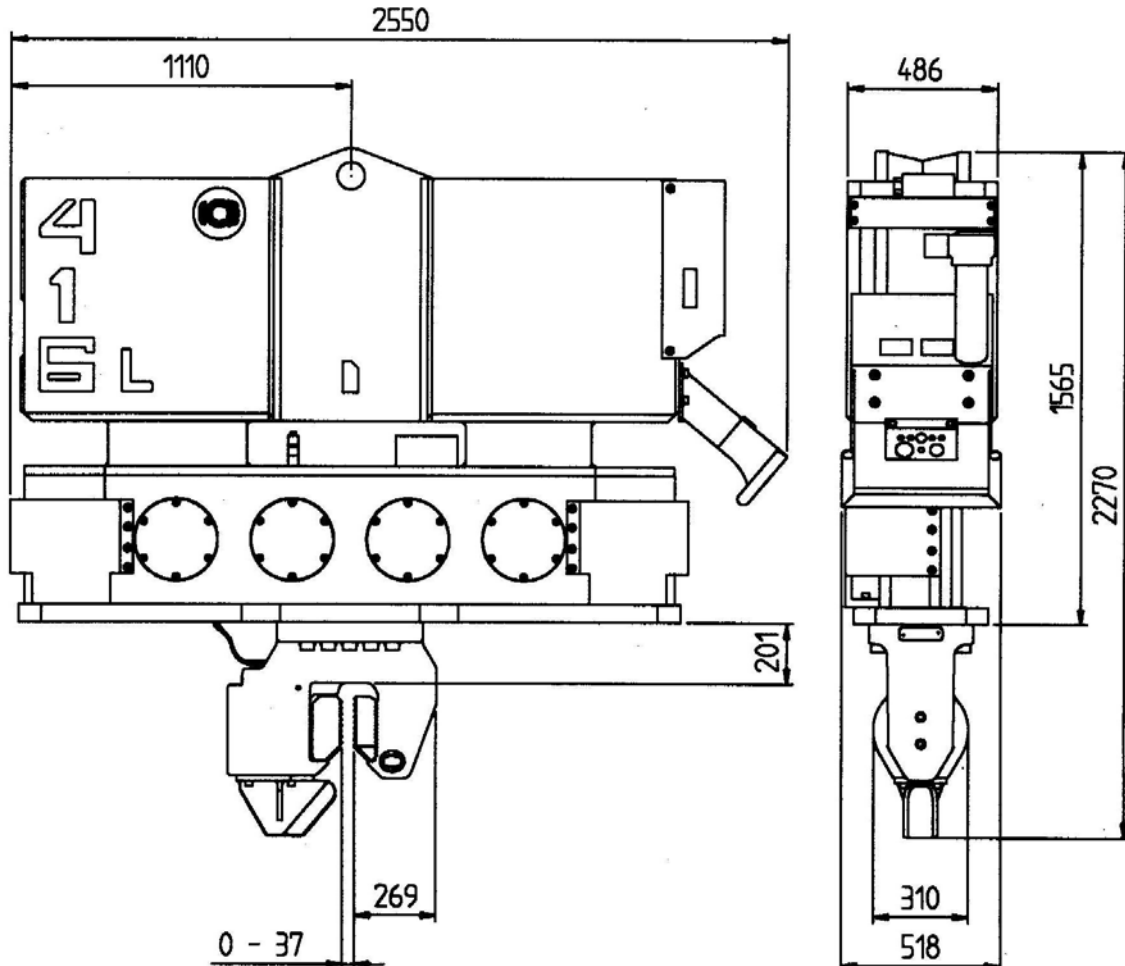




PILEQUIP AUSTRALIA PTY LTD
 ABN 72 003 477 898
 39 Chapman Road, Vineyard NSW
 PO Box 976
 WINDSOR NSW 2756
 Tel: + 61 (0)2 9838 3144
 Fax: + 61 (0)2 9838 3150
 Email: info@pilequip.com.au
 Website: www.pilequip.com.au

ICE 416L

Hydraulic Vibratory Driver / Extractor



SPECIFICATIONS:

Eccentric moment	:	23	kg.m
Max. centrifugal force	:	645	kN
Max. frequency	:	1,600	RPM
Max. amplitude excl. 100 TU	:	19.5	mm
Max. amplitude incl. 100 TU	:	16	mm
Max. static line-pull	:	360	kN
Max. hydraulic power	:	193/262	kW/HP
Max. operating pressure	:	340	bar
Max. oil flow	:	340	l/min
Dyn. weight excl. 100 TU	:	2,350	kg
Dyn. weight incl. 100 TU	:	2,840	kg
Total weight incl. 100 TU	:	4,390	kg
Transport weight	:	4,740	kg

Clamps :			
Universal clamps	:	100TU	
Weight	:	490	kg
Caisson clamps	:	2 x 81TC	
Weight (beam & 2 * TC)	:	1,420	kg

Powerpacks :			
Model	:	ICE 335E	
Power	:	250/335	kW/HP
Weight	:	5,600	kg